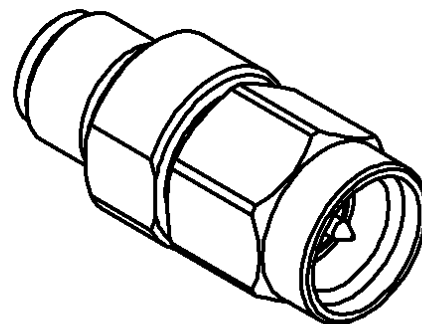
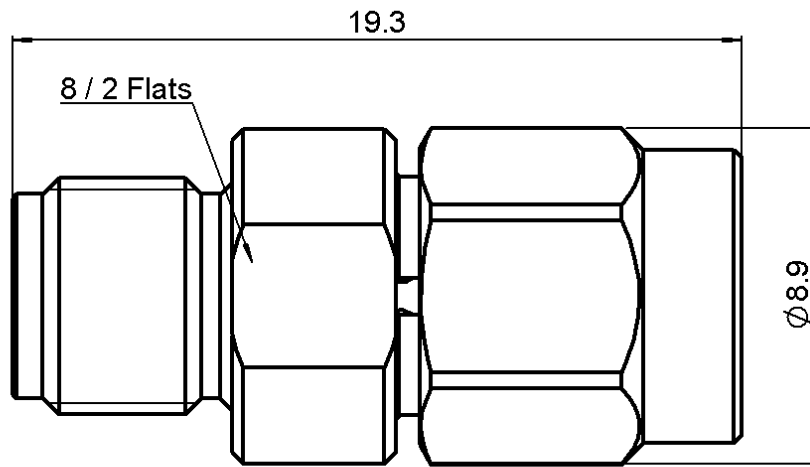


**SMA ATTENUATOR**  
**10 DB 15 GHZ 2W**

**R411.810.000**  
Series : **ATTENUATOR**



SCALE 1 / 1

All dimensions are in mm.



| COMPONENTS                   | MATERIALS               | PLATING(µm)                   |
|------------------------------|-------------------------|-------------------------------|
| <b>BODY</b>                  | <b>STAINLESS STEEL</b>  | <b>PASSIVATION</b>            |
| <b>MALE CENTER CONTACT</b>   | <b>BERYLLIUM COPPER</b> | <b>GOLD 2.5 OVER NICKEL 1</b> |
| <b>FEMALE CENTER CONTACT</b> | <b>BERYLLIUM COPPER</b> | <b>GOLD 2.5 OVER NICKEL 2</b> |
| <b>OUTER CONTACT</b>         |                         |                               |
| <b>INSULATOR</b>             | <b>PTFE</b>             |                               |
| <b>GASKET</b>                | <b>SILICONE RUBBER</b>  |                               |
| <b>SUBSTRATE</b>             | <b>ALUMINA</b>          |                               |
| <b>RESISTOR</b>              | <b>THIN FILM</b>        |                               |
| <b>OTHERS PARTS</b>          |                         |                               |

**Issue : 0834 H**

In the effort to improve our products, we reserve the right to make changes judged to be necessary.



**SMA ATTENUATOR**  
**10 DB 15 GHZ 2W**

**R411.810.000**  
Series : ATTENUATOR

**ELECTRICAL CHARACTERISTICS**

|                 |        |       |          |           |
|-----------------|--------|-------|----------|-----------|
| Frequency (GHz) | DC - 4 | 4 - 8 | 8 - 12.4 | 12.4 - 15 |
| V.S.W.R (≤)     | 1.20   | 1.25  | 1.30     | 1.35      |
| Deviation(±dB)  | 0.4    | 0.5   | 0.6      | 0.8       |

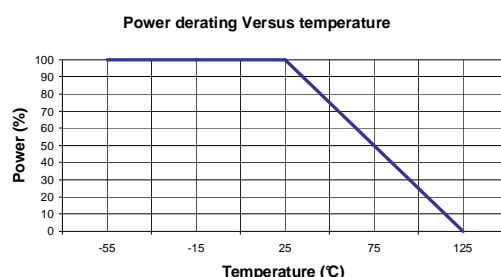
|                              |         |                       |
|------------------------------|---------|-----------------------|
| Operating Frequency Range    | DC - 15 | GHz                   |
| Impedance                    | 50      | Ω                     |
| Nominal Attenuation          | 10      | dB                    |
| Peak power at 25°C (1μs, 1%) | 100     | W                     |
| Average power at 25°C        | 2       | W (Free Air Cooled)   |
|                              |         | W (Conduction Cooled) |

**MECHANICAL CHARACTERISTICS**

|            |          |             |            |
|------------|----------|-------------|------------|
| Connectors | SMA      | Male Female | MIL C39012 |
| Weight     | 4,5810 g |             |            |

**ENVIRONMENTAL CHARACTERISTICS**

|                             |               |
|-----------------------------|---------------|
| Operating temperature range | -55 / +125 °C |
| Storage temperature range   | -55 / +125 °C |



**SPECIFICATION**

**OTHER CHARACTERISTICS**

Issue : 0834 H

In the effort to improve our products, we reserve the right to make changes judged to be necessary.

